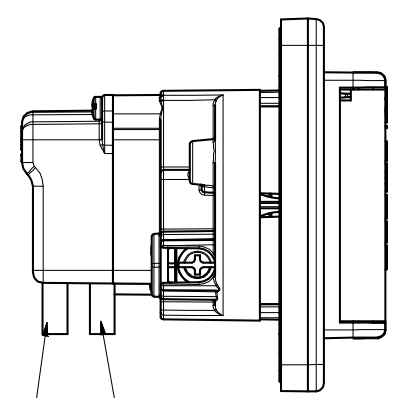
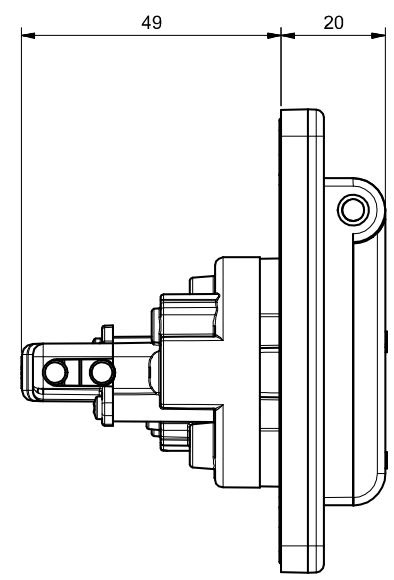
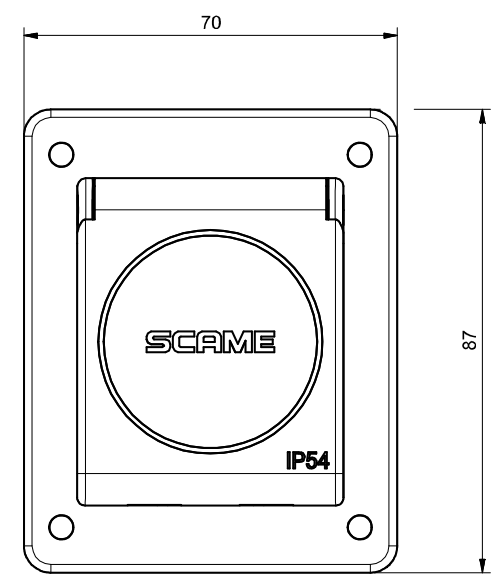
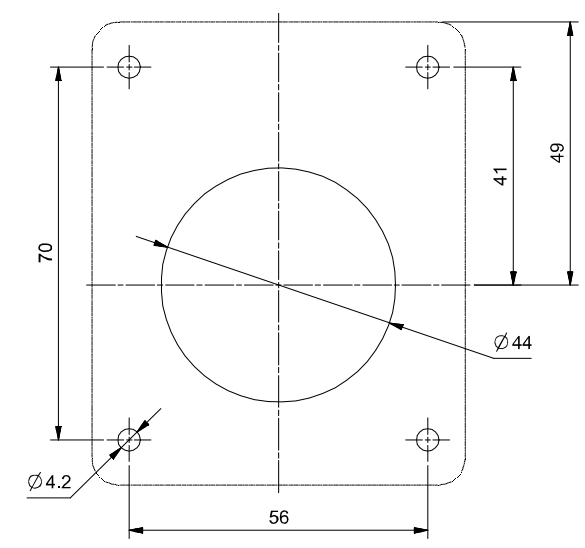
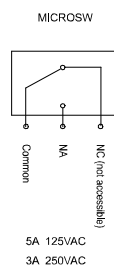


DIMA DI FORATURA
DRILLING TEMPLATE



COMMON
PIN

NA
PIN



| | | | | | | | | |
|--|---|----|-------|-----|----------|--|----------|--------|
| At the end of the law, we reserve the ownership of this design may not be copied and transfer it to third parties or competitors | Format | A3 | Scale | 1:1 | Mould N° | | Drawn | SCAME |
| | Tolerances for linear and angular dimensions without indication of specific tolerances: JS13 / UNI 286-1:2010 | | | | | | | Date |
| S.p.A. PARRE - (Bergamo) | DESCRIPTION | | | | | | Approved | |
| | PR.INCASSO TEDESCA CON SHUTTER E MICRO | | | | | | | CODICE |