

LUXA 103 S360-100-12 DE-UP WH

Item no.: 1030052

Presence and motion detectors Ceiling installation outdoor

Description

- Passive infrared presence detector, ceiling installation as supplied or flush-mounting by means of removable springs/protection cap and enclosed mounting frame
- 1 channel light (relay 230 V)
- Circular detection area 360°, Ø 12 m (113 m²) at 3 m mounting height
- Extension of the detection area by parallel switching, a maximum of 8 detectors can be connected in parallel
- Networking with wall detector theMura Slave possible
- Connection option for push-button for manual switching
- Operation as fully or semi-automatic possible
- One directional brightness measurement (mixed light measurement)
- Teach-in function, pulse function, test function, staircase lighting function
- Ready for operation immediately due to factory presetting
- Changes of values and settings are possible with potentiometers and with one of these optional remote controls:
 - App/universal remote control theSenda B
 - Service remote control theSenda P
 - Optional user remote control for manual override theSenda S/theSenda B
- Restriction of the detection range possible
- Also suitable for outdoor applications, by changing the installation location the detection range is reduced to Ø 8 m



Technical data

| LUXA 103 S360-100-12 DE-UP WH | |
|--------------------------------|-------------------------|
| Operating voltage | 230 V AC |
| Frequency | 50 Hz |
| Stand-by consumption | ca. 0.5 W |
| Light measurement | Mixed light measurement |
| Colour | White |
| Switching output | Light |
| Installation type | Ceiling installation |
| Setting range brightness | 5 lx - 1000 lx |
| Detection angle | 360° |
| Installation height | 2.5 - 3.5 m |
| Light switch-off delay | 15 s - 30 min |
| Incandescent/halogen lamp load | 2300 W |

| LUXA 103 S360-100-12 DE-UP WH | |
|-------------------------------|--------------------------------------------------------------------------|
| Inrush current | max. 500 A / 200 µs |
| LED lamp 2-8 W | 400 W |
| LED lamp > 8 W | 400 W |
| Lamp types | Incandescent/halogen lamps, fluorescent lamps, Energy saving lamps, LEDs |
| Detection range | 113 m ² (Ø 12 m 360°) |
| Detection range | Round |
| Remote controlled | ✓ |
| Ambient temperature | -25°C ... 55°C |
| Type of protection | IP 54 (when fitted) |

Subject to technical changes and misprints

additional information at: www.theben.de/product/1030052

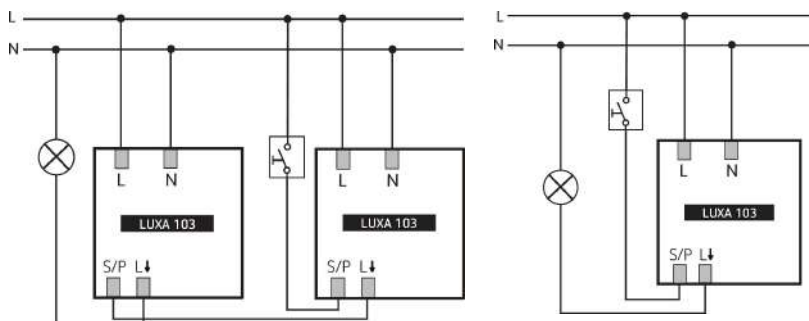
The load data are determined with exemplary selected illuminants and are therefore typical data due to the large number of available products.

LUXA 103 S360-100-12 DE-UP WH

Item no.: 1030052

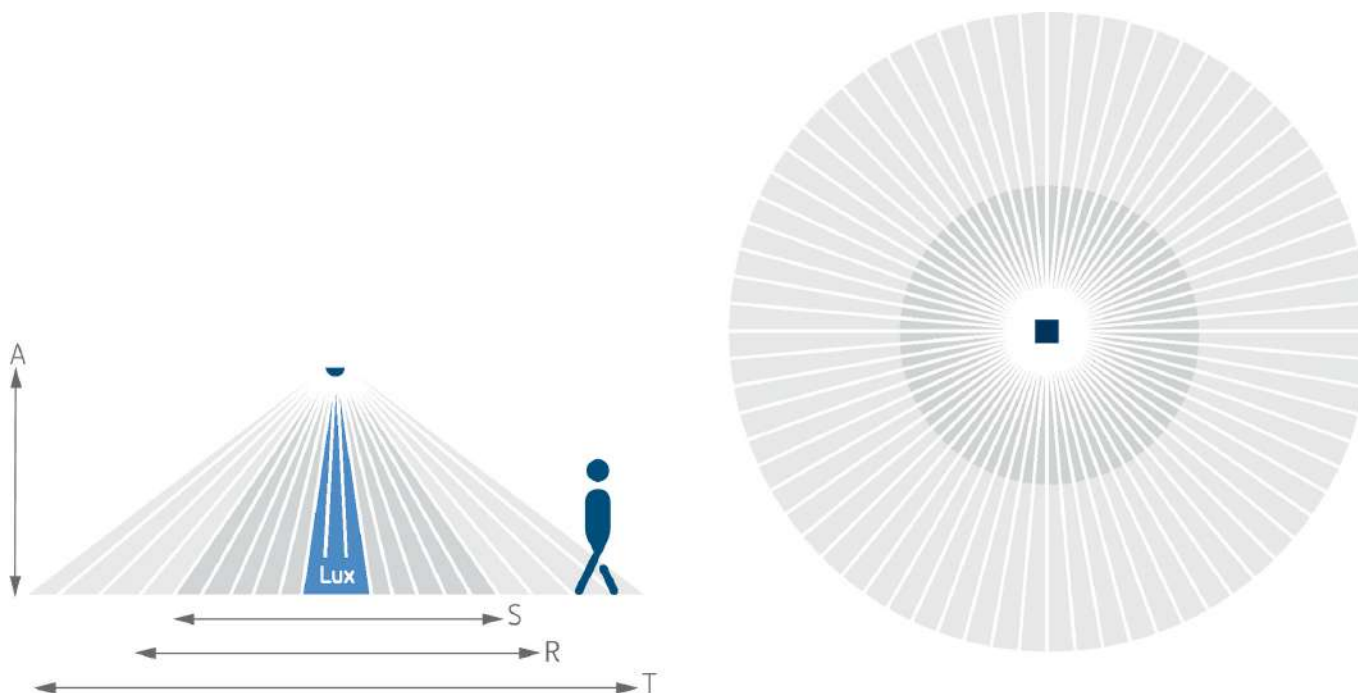


Connection example



Detection range for planning applications at a temperature of 21 °C

| Mounting height (A) | Sitting (S) | Diagonally (T) | Head on to (R) |
|---------------------|-------------------------|---------------------------|-------------------------|
| 2.5 m | 13 m ² 4 m | 78 m ² 10 m | 28 m ² 6 m |
| 3 m | 20 m ² 5 m | 113 m ² 12 m | 28 m ² 6 m |
| 3.5 m | 20 m ² 5 m | 78 m ² 10 m | 28 m ² 6 m |



Subject to technical changes and misprints

additional information at: www.theben.de/product/1030052

The load data are determined with exemplary selected illuminants and are therefore typical data due to the large number of available products.

15/06/2025

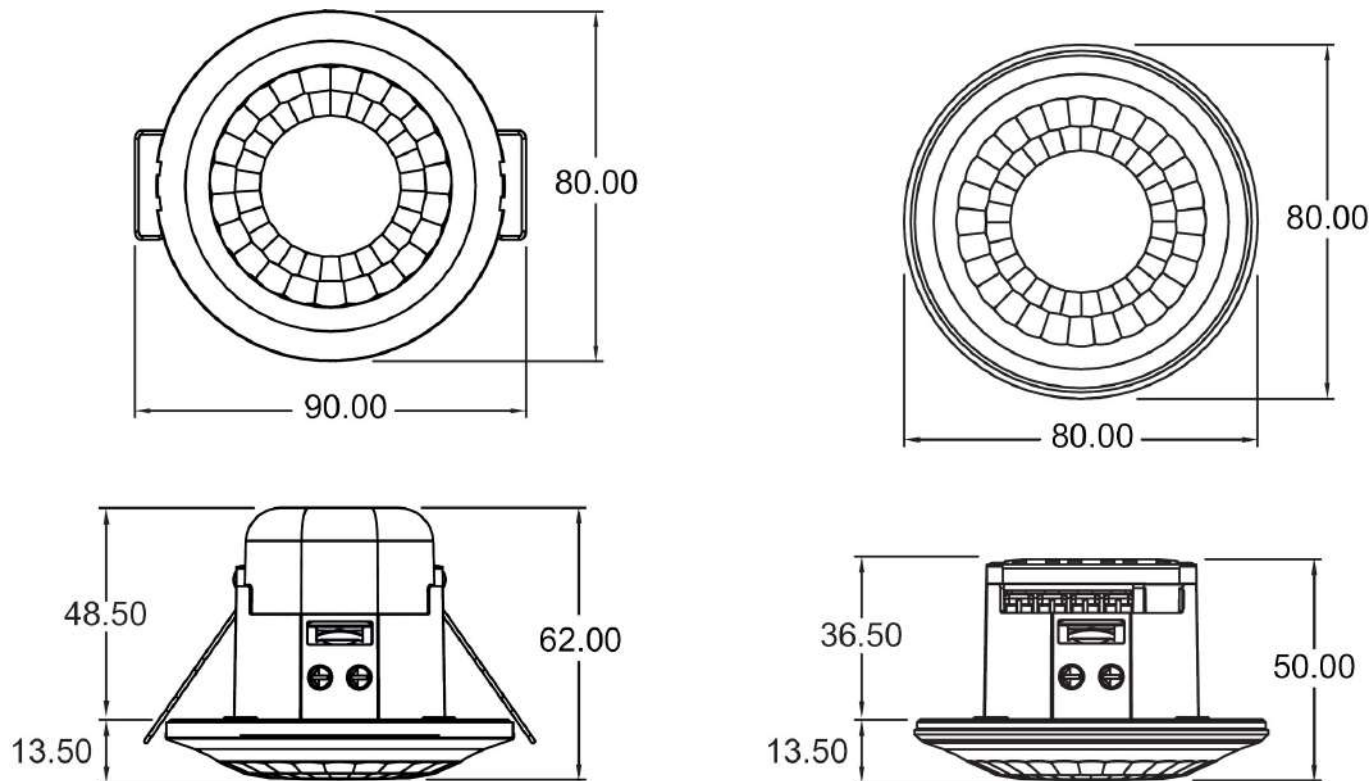
Page 2 of 4

LUXA 103 S360-100-12 DE-UP WH

Item no.: 1030052



Scale drawings



Accessories

theSenda P
Item no.: 9070910



theSenda S
Item no.: 9070911



theSenda B
Item no.: 9070985



Adapter set Switzerland
Item no.: 9070842



Subject to technical changes and misprints

additional information at: www.theben.de/product/1030052

The load data are determined with exemplary selected illuminants and are therefore typical data due to the large number of available products.

LUXA 103 S360-100-12 DE-UP WH

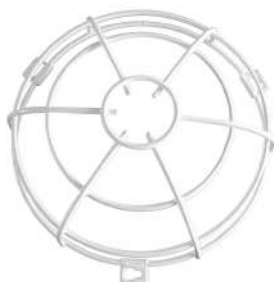
Item no.: 1030052

theben

Accessories

QuickSafe

Item no.: 9070531



Subject to technical changes and misprints

additional information at: www.theben.de/product/1030052

The load data are determined with exemplary selected illuminants and are therefore typical data due to the large number of available products.