

DEWALT®



EV200D-16P-EU

User Manual • Uživatelský manuál •
Uživatelský manuál • Használati utasítás •
Benutzerhandbuch

English	3 – 12
Čeština	13 – 22
Slovenčina	23 – 32
Magyar	33 – 42
Deutsch	43 – 52

Dear customer,

Thank you for purchasing our product. Please read the following instructions carefully before first use and keep this user manual for future reference. Pay particular attention to the safety instructions. If you have any questions or comments about the device, please visit our customer support page: www.alza.cz/EN/kontakt.

Importer Alza.cz a.s., Jankovcova 1522/53, Holešovice, 170 00 Praha 7, www.alza.cz

Safety Guidelines

The definitions below describe the level of severity for each signal word. Please read the manual and pay attention to these symbols.

- **DANGER:** Indicates an imminently hazardous situation which, if not avoided, will result in death or serious injury.
- **WARNING:** Indicates a potentially hazardous situation which, if not avoided, could result in death or serious injury.
- **CAUTION:** Indicates a potentially hazardous situation which, if not avoided, may result in minor or moderate injury.
- **NOTICE:** Indicates a practice not related to personal injury which, if not avoided, may result in property damage.

16 Amp Portable Vehicle Charger

- The product is intended to charge electric vehicles compatible with type 2 Europe charging standard.
- The product is intended to be used in indoor and protected outdoor areas.
- The product is intended for household use only. Not for use in commercial garages. A COMMERCIAL GARAGE is defined as a facility or portion of a facility, also used to house or repair internal combustion engine vehicles, in which vapours from flammable liquids (gasoline) are present.

Important Safety Instructions

- Read these instructions carefully and retain them for future use. If this product is passed to a third party, then these instructions must be included.
- When using electric products, basic precautions should always be followed, including the following. This manual contains important instructions for models EV200D-16P-EU that shall be followed during, operation and maintenance of the unit.
- Risk of electric shock! Do not disconnect under load.
- This product is intended only for charging vehicles not requiring ventilation during charging.
- Use of the product may affect or impair the operation of any medical or implantable electronic devices, such as an implantable cardiac pacemaker or an implantable cardioverter defibrillator. Check with your electronic device manufacturer concerning the effects that charging may have on such electronic devices before using the product.
- Do not use this product if there is any damage to the unit.
- Do not expose to liquid, vapor or rain.
- Risk of electric shock. Do not remove cover or attempt to open the enclosure. No user serviceable parts inside. Refer servicing to qualified service personnel.
 - Read all the instructions before using this product.
 - Use supervision when operating this product around children.
 - Do not put fingers into the electric vehicle connector.
 - Do not use this product if the flexible power cord or EV cable is frayed, has broken insulation or any other signs of damage.
 - Do not use this product if the enclosure or the EV connector is broken, cracked, opened or shows any other indication of damage.
 - To avoid a risk of fire or electric shock, do not use this device with an extension cord.
 - Do not operate the product in temperatures outside its operating range of -30 °C to 50 °C.
 - Do not put inflammable, explosive or combustible materials, chemicals, combustible steam or other dangerous goods near the product.
 - The electric vehicles can only be charged with the engine off and stationary. Do not start the engine when the charging handle is still connected.
 - Do not touch the terminals or other current-carrying parts when your hands are wet.
 - Do not trample or drive over the product's cables.
 - Do not put any foreign objects into the enclosure.
 - Do not use power generators as a power source for charging electric vehicles.

- Do not use the product when either you, the vehicle or the product is exposed to severe rain, snow, electrical storm or other inclement weather.
- Do not use or store the product in a recessed area or below the floor level.
- Do not plug in the product with the use of an adapter.

WARNING - Specific Safety: Instructions for Cord-Connected Product

- If this product is used outdoors, the outlet must be rated for outdoor installation. The outlet must be installed properly to maintain the proper rating of the enclosure.
- To reduce the risk of electric shock, connect only to a properly grounded outlet.
 - Do not plug the product into a damaged, loose or worn outlet.
 - Do not disconnect the product from the outlet when the vehicle is charging.

WARNING – Grounding Instructions for Cord-connected Product

This product must be grounded. If it should malfunction or break down, grounding provides a path of least resistance for electric current to reduce the risk of electric shock. This product is equipped with a cord having an equipment grounding conductor and a grounding plug. The plug must be plugged into an appropriate outlet that is properly installed and grounded in accordance with all local codes and ordinances.

WARNING: Improper connection of the equipment-grounding conductor is able to result in a risk of electric shock. Check with a qualified electrician or serviceman if you are in doubt as to whether the product is properly grounded. Do not modify the plug provided with the product - if it will not fit the outlet, have a proper outlet installed by a qualified electrician.

Before First Use

DANGER: Risk of suffocation! Keep any packaging materials away from children and pets - these materials are a potential source of danger, e.g. suffocation.

- Remove all packaging materials
- Remove and review all components before use.
- Check the product for transport damages.

Main Unit Components



- A. Main unit
- B. LED indicator
- C. Charging handle
- D. Protective cover

Operating Instructions

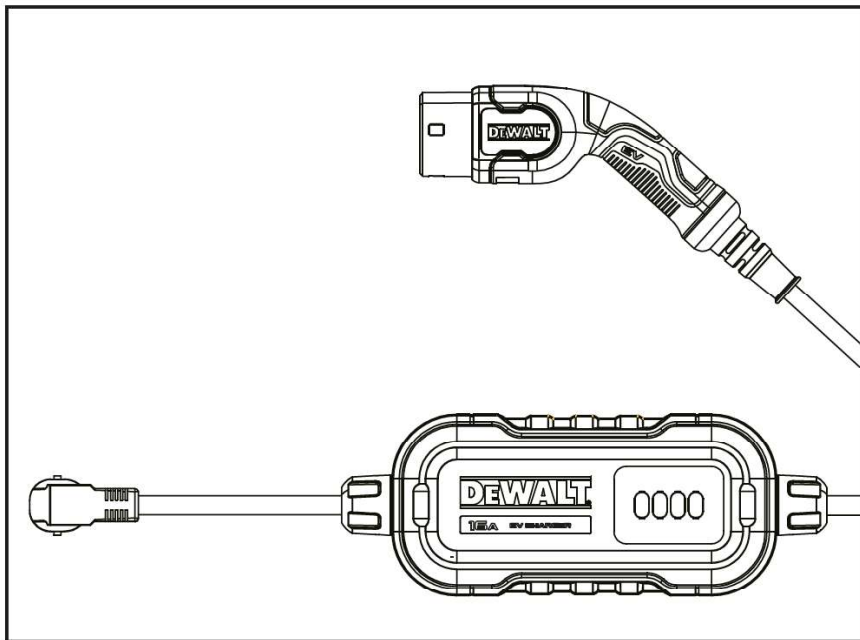
LED Indicator

POWER	Green	Light up after power on in green indicator.
READY	Green	The indicator lights up when charging handle inserted into the vehicle's charging port and lights off when the charging handle is removed.
CHARGE	Green	The indicator lights up when charging process starts and lights off when the charging is complete.
FAULT	Red and Blue	The indicator will light up when have fault. Please see below table of Error Codes.

Plugging In

CAUTION: Ensure that the proper dedicated outlet is available for use with this product.

1. Connect the power plug to the outlet.
2. Lights up after power on.
3. Ensure that the charging handle is fully inserted into your vehicle's charging port, so it clicks firmly into place. The charging process starts.
4. When your vehicle is fully charged, you can verify the charging status by checking your vehicle's dashboard.



Automatic Charging

With the product powered, it starts charging few seconds after connecting the charging handle to the vehicle's charging port. The product automatically detects outlet voltage and maximum allowable input current of your vehicle.

- Plug the type 2 connector of the charging handle to the vehicle's charging port. The charging process starts.
- The product switches off automatically once the vehicle's battery is fully charged.

NOTICE: When the charging is complete, unplug the type 2 connector, covering the handle with protective cover.

User Maintenance Instructions

WARNING: The product contains no user serviceable parts. Do not attempt to repair or service any other part of the product yourself.

WARNING: The maintenance, and servicing of the product must only be performed by qualified personnel in accordance with applicable local regulations.

WARNING: Disconnect the charging handle from the vehicle's charging port and remove the plug from the power outlet before cleaning.

- Do not use cleaning solvents to clean any part of the product.
- Cover the charging handle with the protective cover before cleaning.
- Regularly clean the product using a soft, dry cloth to remove accumulated dust and dirt.
- Regularly inspect the charging cable and plug for any visible damage or wear.

Moving and Storage Instructions

WARNING: When transporting the product, handle with care. Do not subject it to strong force or impact or pull, twist, tangle, drag or step on the product, to prevent damage to it or any components.

- Cover the charging handle with the protective cover before storing.
- Protect the product from any external impact.
- Store the product in a dry indoor area and within the storage temperature of -30°C to 50°C. Keep away from children and pets.

Troubleshooting

Problem	Possible solution
The vehicle is not responding or charging.	<ul style="list-style-type: none">• Verify that the product has power: Ensure that the prongs on the plug fit snugly into the outlet.• Verify that the connector of the charging handle fits securely to the vehicle's charging port.• Verify that the vehicle has been turned off.• Inspect the product for damage. If damaged, stop using the product and remove the plug from the power outlet. Contact customer service.

Error Codes

Problem	Red and blue light indicator flash exclusively and sequentially in the order of red then blue, number of red/blue sequence occurrences represent different error codes.	
	RED	BLUE
Over voltage / under voltage	On	Off
Over current	On for 2 seconds	Flashes once
Ground fault	On for 2 seconds	Flashes twice
Current leakage	On for 2 seconds	Flashes thrice
Over temperature	On for 2 seconds	Flashes four times
Relay failure	On for 2 seconds	Flashes five times
Failed self-check	On for 2 seconds	Flashes six times
Communication fault	On for 2 seconds	Flashes seven times

NOTICE: If power reset cannot solve the problem, stop using the product. Remove the plug from the power outlet and contact customer service for support.

Accessories

WARNING: Since accessories, other than those offered by DEWALT, have not been tested with this product, use of such accessories with this product could be hazardous. To reduce the risk of injury, only DEWALT recommended accessories should be used with this product.

Specifications

Model	EV200D-16P-EU
Rated input / output voltage	~220-240V
Rated frequency	50Hz
Rated current	Max. 16A
Rated charging power	Max. 3.7kW
Charging connector	Type 2
Power plug type	Schuko
Cable length	7.5m
Enclosure rating	IP65 for control box
Agency approvals	TUV-RH
Altitude	≤2000m
Operating temperature	-30°C to 50°C
Storage temperature	-30°C to 50°C
Relative humidity	≤95% RH, no water droplet condensation
Net weight	2.74kg
Dimensions	11×23.55×5.51cm

Warranty Conditions

A new product purchased in the Alza.cz sales network is guaranteed for 2 years. If you need repair or other services during the warranty period, contact the product seller directly, you must provide the original proof of purchase with the date of purchase.

The following are considered to be a conflict with the warranty conditions, for which the claimed claim may not be recognized:

- Using the product for any purpose other than that for which the product is intended or failing to follow the instructions for maintenance, operation, and service of the product.
- Damage to the product by a natural disaster, the intervention of an unauthorized person or mechanically through the fault of the buyer (e.g., during transport, cleaning by inappropriate means, etc.).
- Natural wear and aging of consumables or components during use (such as batteries, etc.).
- Exposure to adverse external influences, such as sunlight and other radiation or electromagnetic fields, fluid intrusion, object intrusion, mains overvoltage, electrostatic discharge voltage (including lightning), faulty supply or input voltage and inappropriate polarity of this voltage, chemical processes such as used power supplies, etc.
- If anyone has made modifications, modifications, alterations to the design or adaptation to change or extend the functions of the product compared to the purchased design or use of non-original components.

EU Declaration of Conformity

This product complies with the legal requirements of the following European Union directive(s): Directive No. 2014/30/EU, Directive No. 2014/35/EU.



WEEE

This product must not be disposed of as normal household waste in accordance with the EU Directive on Waste Electrical and Electronic Equipment (WEEE - 2012/19/EU). Instead, it shall be returned to the place of purchase or handed over to a public collection point for the recyclable waste. By ensuring this product is disposed of correctly, you will help prevent potential negative consequences for the environment and human health, which could otherwise be caused by inappropriate waste handling of this product. Contact your local authority or the nearest collection point for further details. Improper disposal of this type of waste may result in fines in accordance with national regulations.

