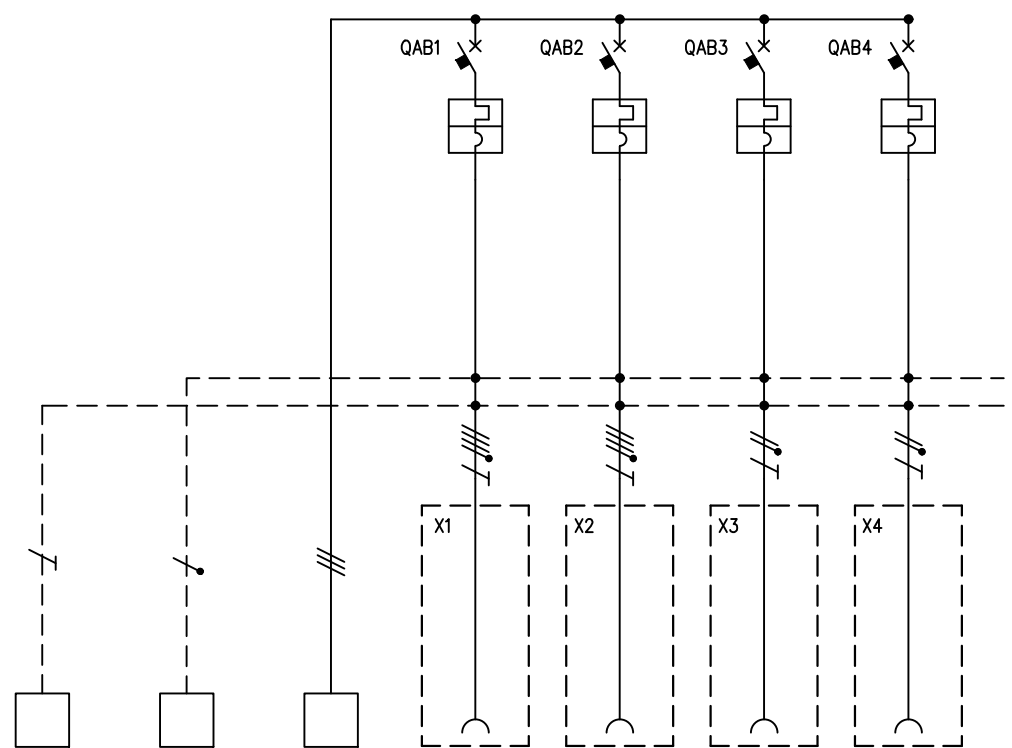
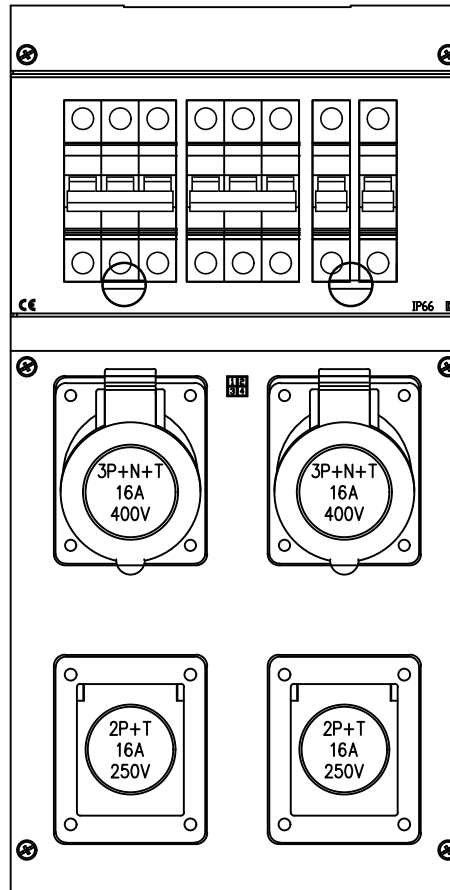



DISTRIBUTION ASSEMBLY Block 4	
RATED VOLTAGE (V) $V_n = 400$	
RATED CURRENT (A) $I_n = 48$	
RATED FREQUENCY (Hz) $f_n = 50 - 60$	
BREAKING CAPACITY (kA) $I_{cu} = \quad I_{cw} (1s) =$	
PROTECTION DEGREE: IP54	
RATED DIVERSITY FACTORS:	
REFERENCE STANDARD: CEI EN 61439-3	



CIRCUIT		1	2	3	4	5	6	7				
COMPONENTS DESCRIPTION		Terra	Neutro	Alimentazione Quadro								
PROTECTION DEVICES	TYPE				MT	MT	MT	MT				
	Un (V)				400	400	230	230				
	In (A)				16	16	16	16				
	N°POLES				3	3	1	1				
	CHARACTERISTICS				Curva "C"	Curva "C"	Curva "C"	Curva "C"				
	BREAKING CAPACITY (kA)											
	Idn (mA)											
PLUGS AND SOCKETS	TYPE				IEC 309	IEC 309	Domo	Domo				
	Un (V)				346-415	346-415	200-250	200-250				
	In (A)				16	16	16	16				
	N°POLES				3P+N+T	3P+N+T	2P+T	2P+T				
	CONFIGURATIONS				6h	6h						
	SCAME PART NUMBER				413.1667	413.1667	570.4062	570.4062				
TERMINALS	N°SECTION (sqmm)	16	16	3x16								
CONNECTIONS	L1, L2, L3, N, PE	PE	N	L1,L2,L3	L1,L2,L3,N,PE	L1,L2,L3,N,PE	L1,N,PE	L2,N,PE				
	SECTION (sqmm)	10	10	10	2,5	2,5	2,5	2,5				
OTHER COMPONENTS							Schuko	Schuko				

Distribution assembly Block 4 IP54 series



REV.	VERSION	DATE	SIGNATURE	APPR.	DATE	25/07/2025	 <p>For legal terms we reserve the property of this drawing with interdiction of reproduction and disclosing to third parties or to competitors</p>	AF 3020381_160	AF 3020381	PAGE	2 OF	2		