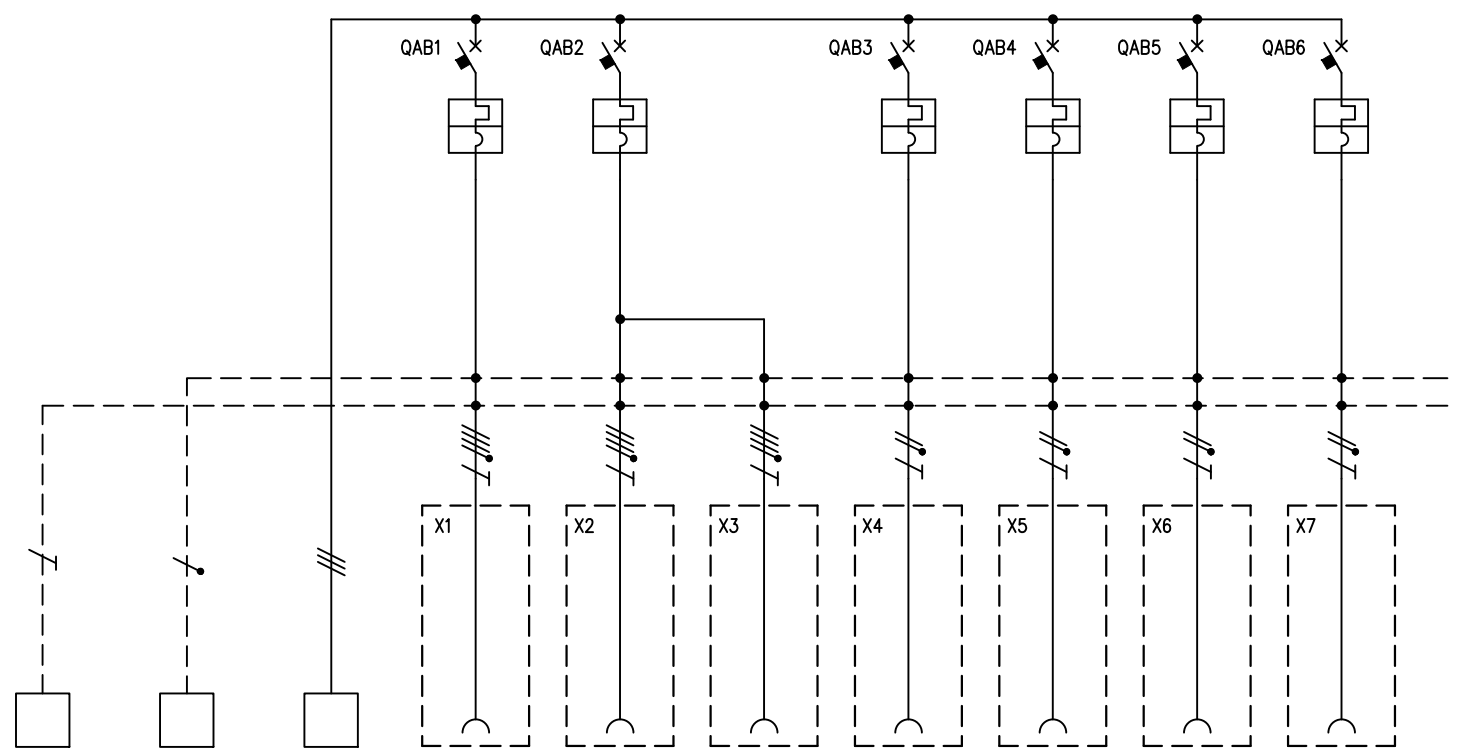
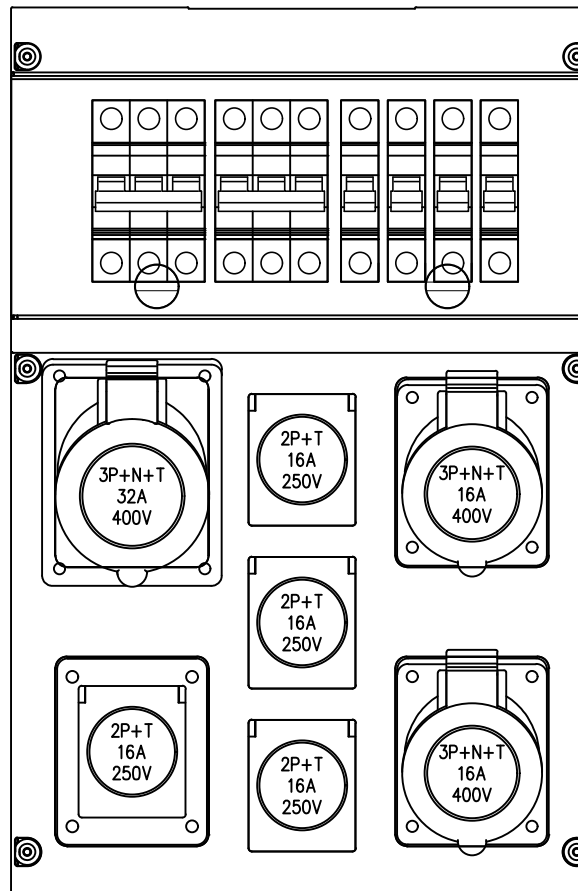



| | |
|--|--|
| DISTRIBUTION ASSEMBLY Block 5 | |
| RATED VOLTAGE (V) $V_n = 400$ | |
| RATED CURRENT (A) $I_n = 80$ | |
| RATED FREQUENCY (Hz) $f_n = 50 - 60$ | |
| BREAKING CAPACITY (kA) $I_{cu} =$ $I_{cw} (1s) =$ | |
| PROTECTION DEGREE: IP54 | |
| RATED DIVERSITY FACTORS: | |
| REFERENCE STANDARD: CEI EN 61439-3 | |



| CIRCUIT | | 1 | 2 | 3 | 4 | 5 | 6 | 7 | 8 | 9 | 10 | | |
|------------------------|------------------------|-------|--------|----------------------|---------------|---------------|---------------|-----------|-----------|-----------|-----------|--|--|
| COMPONENTS DESCRIPTION | | Terra | Neutro | Alimentazione Quadro | | | | | | | | | |
| PROTECTION DEVICES | TYPE | | | | MT | MT | | MT | MT | MT | MT | | |
| | Un (V) | | | | 400 | 400 | | 230 | 230 | 230 | 230 | | |
| | In (A) | | | | 32 | 16 | | 16 | 16 | 16 | 16 | | |
| | N°POLES | | | | 3 | 3 | | 1 | 1 | 1 | 1 | | |
| | CHARACTERISTICS | | | | Curva "C" | Curva "C" | | Curva "C" | Curva "C" | Curva "C" | Curva "C" | | |
| | BREAKING CAPACITY (kA) | | | | | | | | | | | | |
| | Idn (mA) | | | | | | | | | | | | |
| PLUGS AND SOCKETS | TYPE | | | | IEC 309 | IEC 309 | IEC 309 | Domo | Domo | Domo | Domo | | |
| | Un (V) | | | | 346-415 | 346-415 | 346-415 | 200-250 | 200-250 | 200-250 | 200-250 | | |
| | In (A) | | | | 32 | 16 | 16 | 16 | 16 | 16 | 16 | | |
| | N°POLES | | | | 3P+N+T | 3P+N+T | 3P+N+T | 2P+T | 2P+T | 2P+T | 2P+T | | |
| | CONFIGURATIONS | | | | 6h | 6h | 6h | | | | | | |
| | SCAME PART NUMBER | | | | 413.3267 | 413.1667 | 413.1667 | 570.4062 | 570.2062 | 570.2062 | 570.2062 | | |
| TERMINALS | N°SECTION (sqmm) | 25 | 25 | 3x25 | | | | | | | | | |
| CONNECTIONS | L1, L2, L3, N, PE | PE | N | L1,L2,L3 | L1,L2,L3,N,PE | L1,L2,L3,N,PE | L1,L2,L3,N,PE | L1,N,PE | L2,N,PE | L3,N,PE | L3,N,PE | | |
| | SECTION (sqmm) | 16 | 16 | 16 | 4 | 2,5 | 2,5 | 2,5 | 2,5 | 2,5 | 2,5 | | |
| OTHER COMPONENTS | | | | | | | | Schuko | Schuko | Schuko | Schuko | | |

Distribution assembly Block 5 IP54 series



| | | | | | | | | | | | |
|------|---------|------|-----------|-------|------|------------|---|----------------|------------|-------------|------|
| REV. | VERSION | DATE | SIGNATURE | APPR. | DATE | 28/07/2025 |  <p>For legal terms we reserve the property of this drawing with interdiction of reproduction and disclosing to third parties or to competitors</p> | AF 3020381_150 | AF 3020381 | PAGE 2 OF 2 | |
| | | | | | | | | | | | NEXT |
| | | | | | | | | | | | |